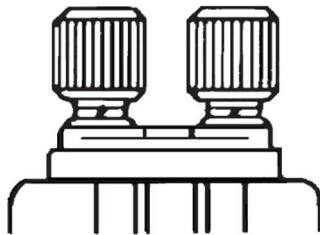
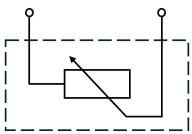


PRESSURE SENSORS



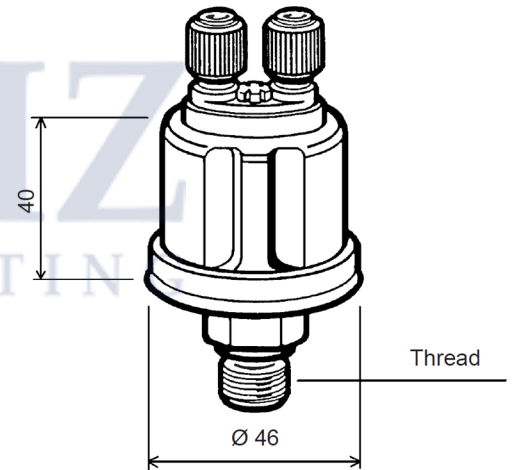
- Veratron's Pressure Sensors deliver a stable quality reading during a long lifespan. They have excellent anti-vibration performance and a wide operating temperature range.
- The sensors can be used in a wide range of applications.
- All sensors come with a sensor output and an insulated ground pin.

Connectors:
Knurled Nut
M4



| | |
|-----------------------|------------------------------|
| Operating Temperature | -25 to 120°C (max. 1h @120°) |
| Measurement range | 0-5bar or 0-10bar |
| Output signal | Standard 10-184Ω |
| Protection Rating | IP 67 |
| Max. Mounting Torque | 30 Nm |

| ART.NR. | SENSOR TYPE | THREAD | RANGE |
|---------|-------------|------------|--------|
| B002007 | Oil Press | 1/8"-27NPT | 5 bar |
| B002008 | Oil Press | 1/8"-27NPT | 10 bar |



| PRESSURE | 5 BAR SENSORS | 10 BAR SENSORS |
|----------|---------------|----------------|
| 0 bar | 10 Ω ±5Ω | 10 Ω ±5Ω |
| 1 bar | 45 Ω ±5Ω | 27 Ω ±5Ω |
| 2 bar | 80 Ω ±5Ω | 45 Ω ±5Ω |
| 3 bar | 115 Ω ±5Ω | 62 Ω ±5Ω |
| 4 bar | 150 Ω ±7Ω | 80 Ω ±5Ω |
| 5 bar | 184 Ω ±9Ω | 97 Ω ±5Ω |
| 6 bar | - | 115 Ω ±5Ω |
| 7 bar | - | 132 Ω ±7Ω |
| 8 bar | - | 150 Ω ±7Ω |
| 9 bar | - | 167 Ω ±9Ω |
| 10 bar | - | 184 Ω ±9Ω |

